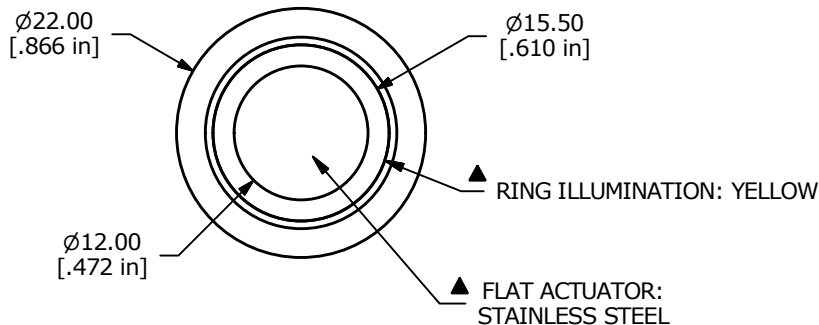
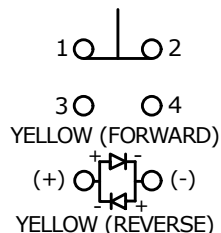


PANEL CUTOUT
MAX. PANEL THICKNESS
10mm [.39]

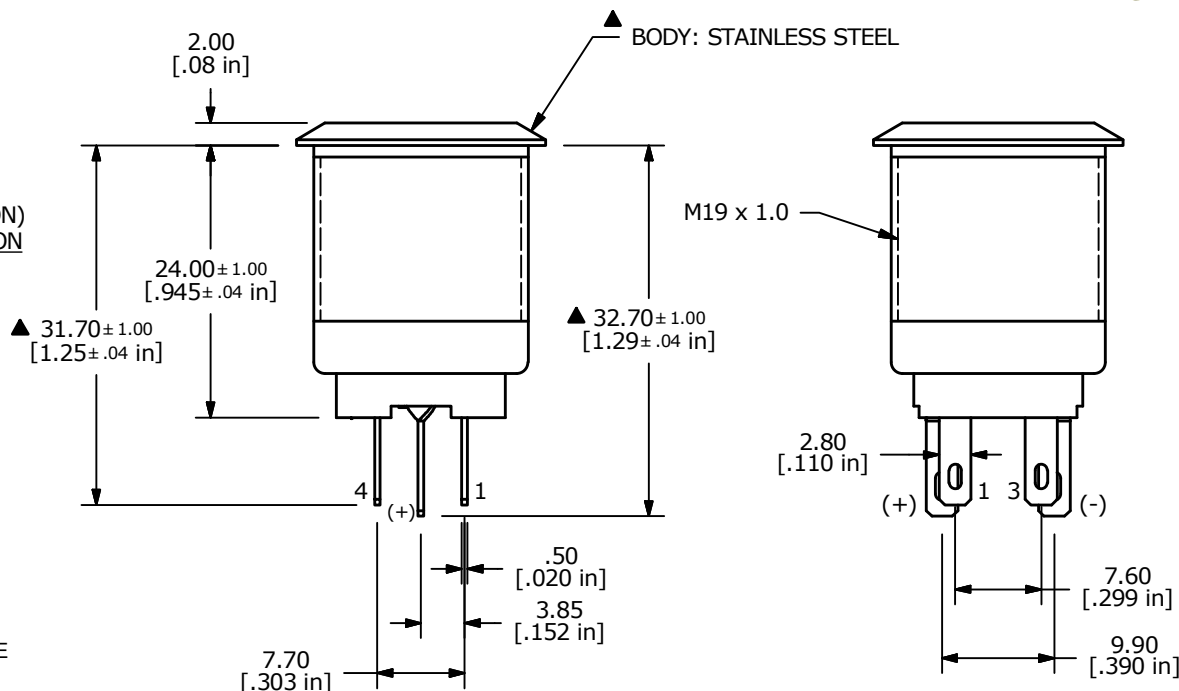


SWITCH FUNCTION	
POS. 1	POS. 2
1-2 ON 3-4 OFF	1-2 (OFF) 3-4 (ON)

() = MOMENTARY



▲ SPDT ON-(OFF) / OFF-(ON)
CONTACT CONFIGURATION



NOTE:

1. ALL DIMENSIONS IN MM [INCH]
2. GENERAL TOLERANCE: X.X = ±0.4
X.XX = ±0.25
3. TERMINAL NUMBERS FOR REF ONLY
- ▲ 4. CONTACT MATERIAL: SILVER
5. RATING: 2A 24VDC
6. ELECTRIC LIFE: 50,000 MAKE-AND-BREAK CYCLES AT FULL LOAD.
7. INSULATION RESISTANCE: 1,000 MΩ MIN.
8. DIELECTRIC STRENGTH: 2,000 VAC MIN. FOR 1 MINUTE
9. CONTACT RESISTANCE: 50mΩ MAX. @ 1A 12VDC
10. OPERATING TEMP.: -20°C to 55°C
11. TRAVEL: 2.8mm
12. ▲ DENOTES CRITICAL PARAMETER.
- ▲ 13. LAMP VOLTAGE: 1.8V
14. INGRESS PROTECTION: IP65
- ▲ 15. HARDWARE SUPPLIED: O-RING AND HEXNUT
16. 2002/95/EC (ROHS) COMPLIANT.



TITLE PV4F2Y0SS-351				
SCALE 3:2	DATE 11/19/2015	DR MW	DWG 52-PV4F2Y0SS351	REV A

A	22060	NEW RELEASE	11/19/15	MW
REV	PCR NO	DESCRIPTION	DATE	BY

THE INFORMATION CONTAINED IN THIS DOCUMENT IS PROPRIETARY TO E-SWITCH AND IS NOT TO BE COPIED OR TRANSFERRED